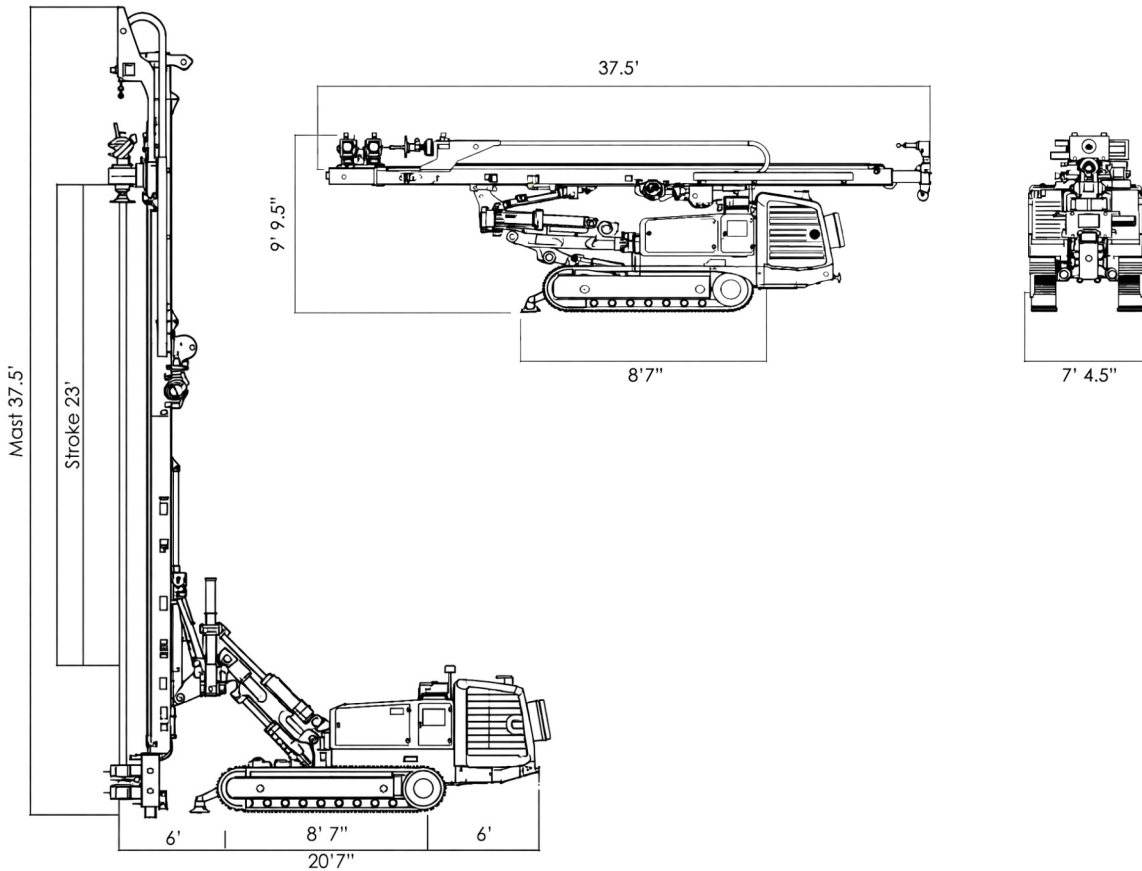


# C6

Specifications	
Track Length:	8' 7"
Transport Height (unloaded):	9' 9.5"
Drill Height:	37.5'
Drill Weight:	33,000 LBS
Torque:	22,000 Ft/Lbs
Maximum Depth:	150'
Maximum Hole Diameter:	8"
Minimum Hole Diameter:	4"
Max Reach:	6'
Minimum Working Radius	21'
Drilling Inclination Range:	90° - 10°



1-800-548-4799

[www.CurtisDrilling.com](http://www.CurtisDrilling.com)