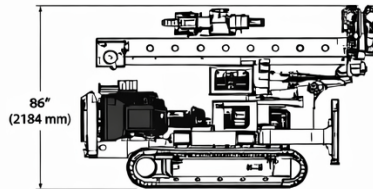
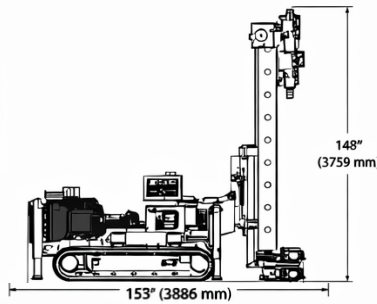
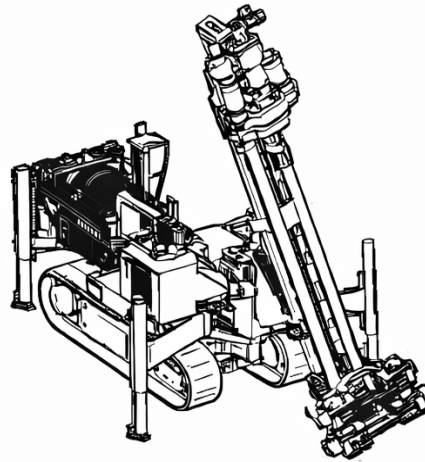
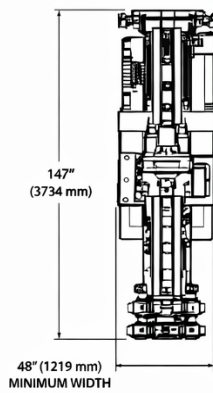


**TD100**

<b>Specifications</b>	
Rig Length:	12' 9"
Transport Height (unloaded):	8' 2"
Drill Height:	12' 9"
Drill Weight:	11,048 Lbs
Torque:	10,000 ft/lbs
Maximum Depth:	100'
Maximum Hole Diameter:	6"
Minimum Hole Diameter:	1.5"
Minimum Working Radius	13'
Power Requirements	3-Phase 480 Volt 60 Hertz 100 AMPS within 100' of drill



1-800-548-4799

[www.CurtisDrilling.com](http://www.CurtisDrilling.com)